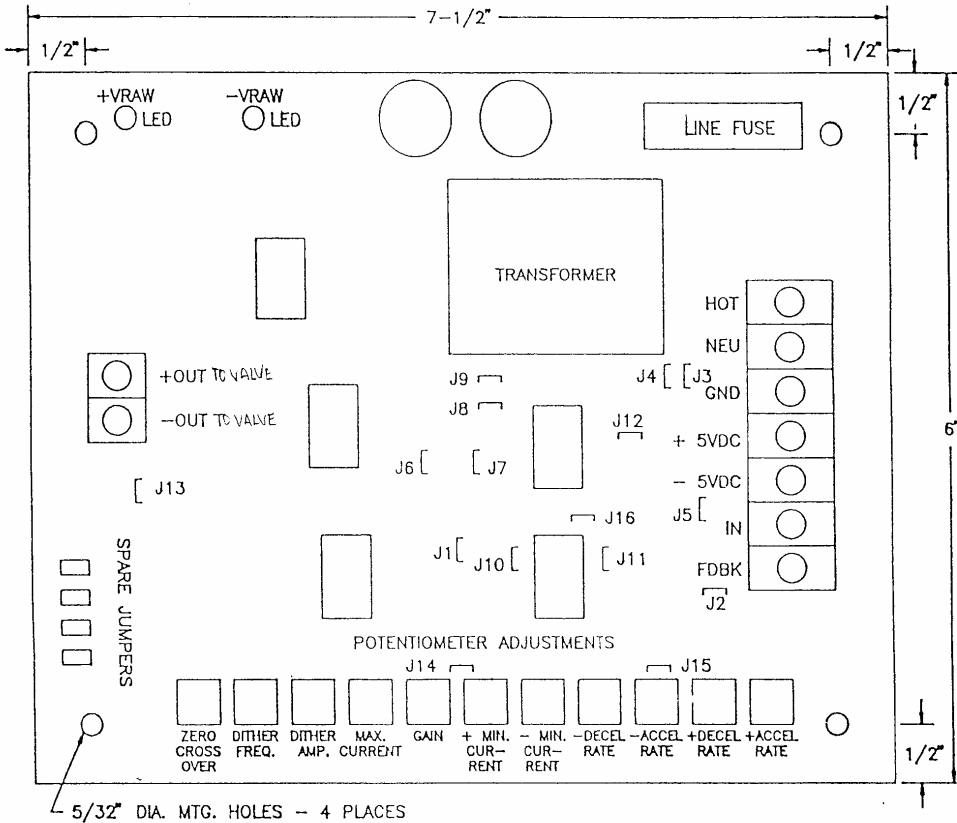


REVISIONS				
ZONE	REV.	DESCRIPTION	DATE	APPROVED



UNLESS OTHERWISE SPECIFIED		
DIMENSIONAL TOLERANCE		
.XX	.XXX	ANGLES
±.03	±.010	± 1°
MATERIAL		
DRAWN		
CHECKED		
FINISH		
ISSUED		
DO NOT SCALE DRAWING		

BREAK EDGES .003 - .010	
DIAS TO BE Ⓢ WITHIN .005	
MACHINED SURFACES 125/	
APPROVALS	DATE

**Control Enterprises Inc**

**OPEN-CLOSED LOOP DRIVER**

SIZE	SH	OF	DWO
A	1	1	NO
SCALE			62405
			REFERENCE ANSI Y14.5M - 1982